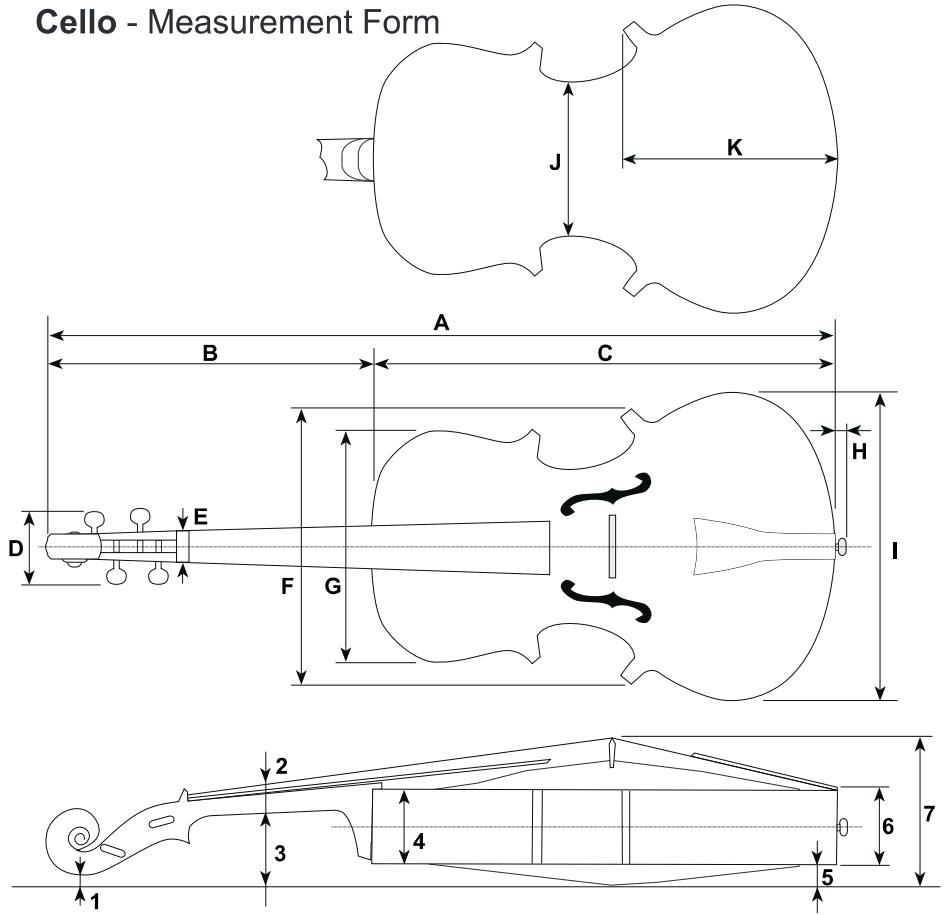


Cello - Measurement Form

1	
2	
3	
4	
5	
6	
7	

A	
B	
C	
D	
E	
F	
G	
H	
I	
J	
K	



Click to send to Elcoda